



भारत प्रतिभूति मुद्रणालय INDIA SECURITY PRESS

नाशिक रोड - 422101(महाराष्ट्र) / NASHIK ROAD - 422101 (MAHARASHTRA)

(भारत प्रतिभूति मुद्रण तथा मुद्रा निर्माण निगम लिमिटेड की इकाई / A UNIT OF SECURITY PRINTING & MINTING CORPORATION OF INDIA LTD.)

भारत सरकार के पूर्ण स्वामित्वाधीन / WHOLLY OWNED BY GOVERNMENT OF INDIA

(आई एस ओ - 9001 : 2015 एवं 14001 : 2015 प्रमाणित कंपनी / ISO - 9001 : 2015 & 14001 : 2015 Certified Company)

मिनिरत्न श्रेणी-I, सीपीएसई / Miniratna Category - I, CPSE

फोन / PHONE : +91-253-2402200

फैक्स / FAX : +91-253-2462718

CIN : U22213DL2006GO1144763

वेबसाइट / website : https://ispnasik.spmcil.com

ई-मेल / e-mail : isp@spmcil.com; purchase.isp@spmcil.com

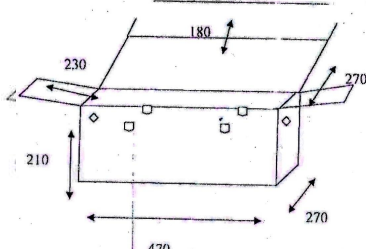
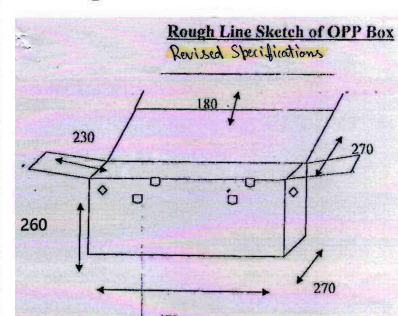
Corrigendum No.01

Date:25/07/2022

CORRIGENDUM

SUB: ISP GEM Tender No. GEM/2022/B/2313948 dated 07/07/2022, for Procurement of Corrugated Boxes in the size of 470MM(L)X270MM(W)X210MM(H).

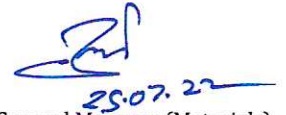
With reference to above ISP Tender Notice, the following amendment is hereby authorized to read as:

| Sl. No. | ISP- Tender Terms & Conditions / Clause | Proposed Amendments | Remarks |
|---------------------------------|--|---|---|
| Technical Specifications | | | |
| 1. | Height of the Box : 210 MM (+/- 5 MM) | Height of the Box : 260 MM (+/- 5 MM) | Where ever in the GeM tender Height of the Box is mentioned as 210 MM (+/- 5 MM) the same may be read as 260 MM (+/- 5 MM). |
| 2. | Drawing Document: Rough Line Sketch of OPP Box old Specifications (OPP)  | Drawing Document: Rough Line Sketch of OPP Box Revised Specifications  | |

The remaining terms & conditions of the tender document will remain unchanged.

Note: 1. The "Bid End Date/Time and Bid Opening Date/Time" are hereby extended upto 05/08/2022 09:00:00 Hrs and 05/08/2022 09:30:00 Hrs respectively.

2. Respective Bidders are requested to review their offer according to change in Technical Specification of tendered item and resubmit the same on or before Bid End Date/Time. Please note that, after Opening of the Bid no further correspondence will be entertained regarding change in offer submitted by the firm.
3. This Corrigendum shall be treated as a part of this Tender. Hence, Participated Bidders/Fresh Participating Bidders are requested to submit the stamped and signed copy of this corrigendum along with their bids as a token of acceptance of the same.



Jt. General Manager (Materials)
For Chief General Manager, ISP Nashik