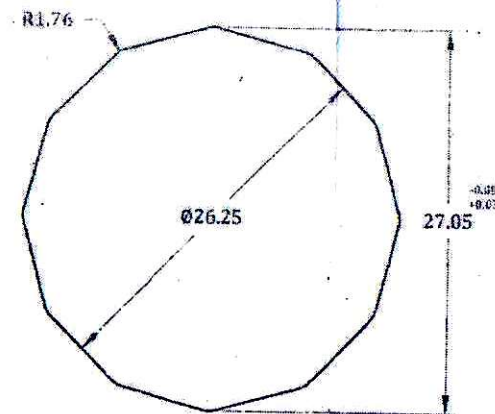
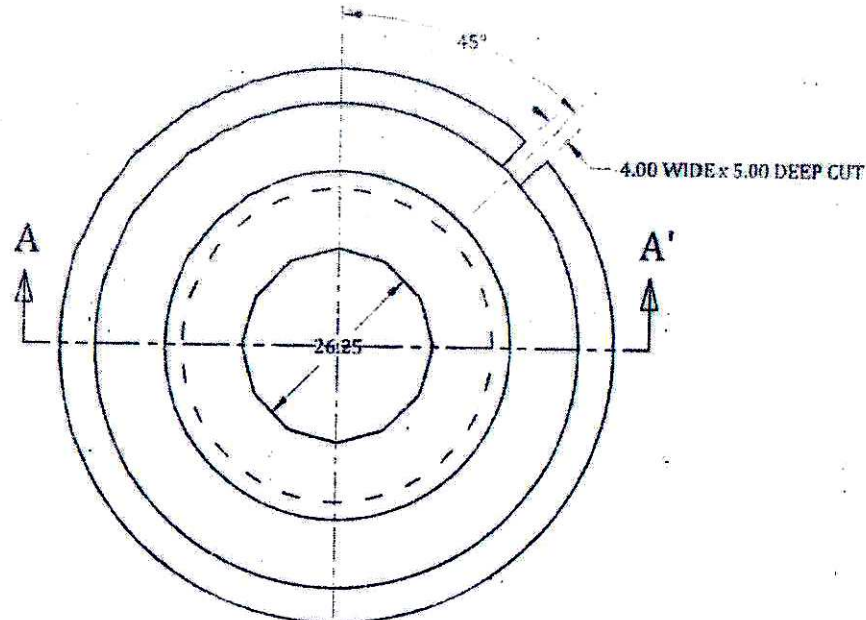
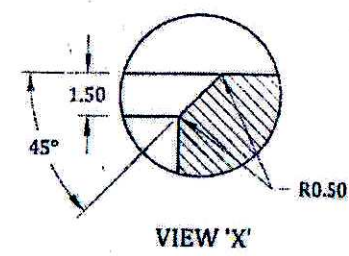
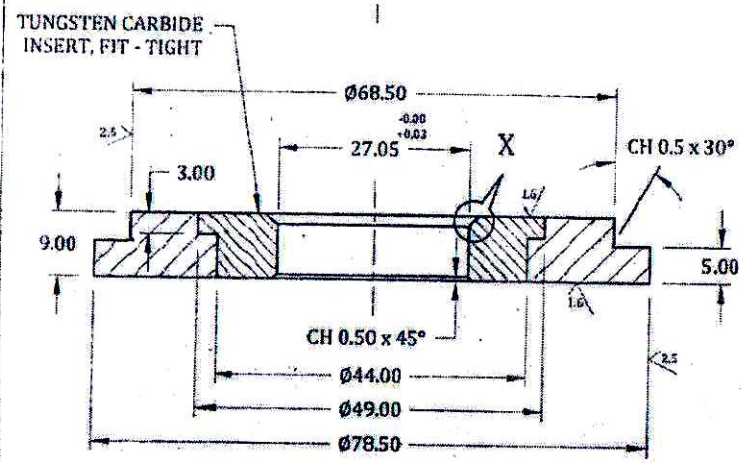


PR No. 10029233 dt. 04/10/22, Item no. 10,

6



ENLARGED VIEW 2:1 OF
12-SIDED POLYGON PROFILE

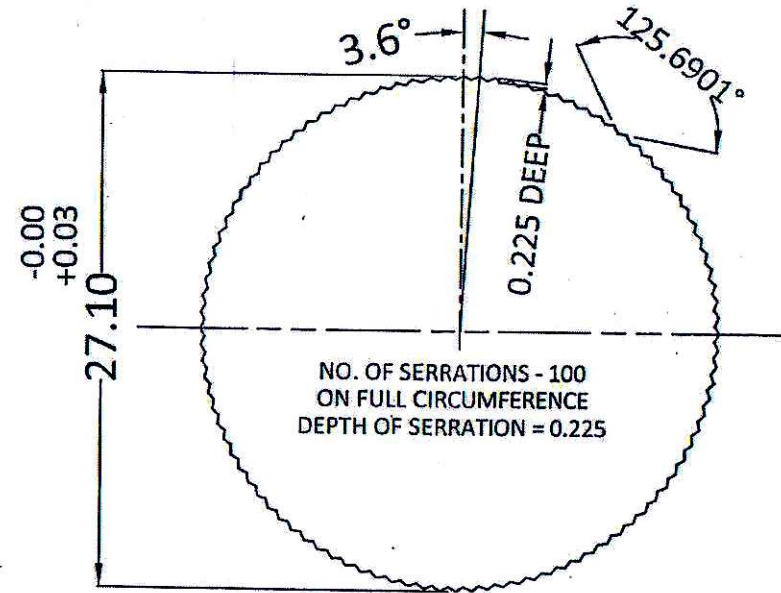
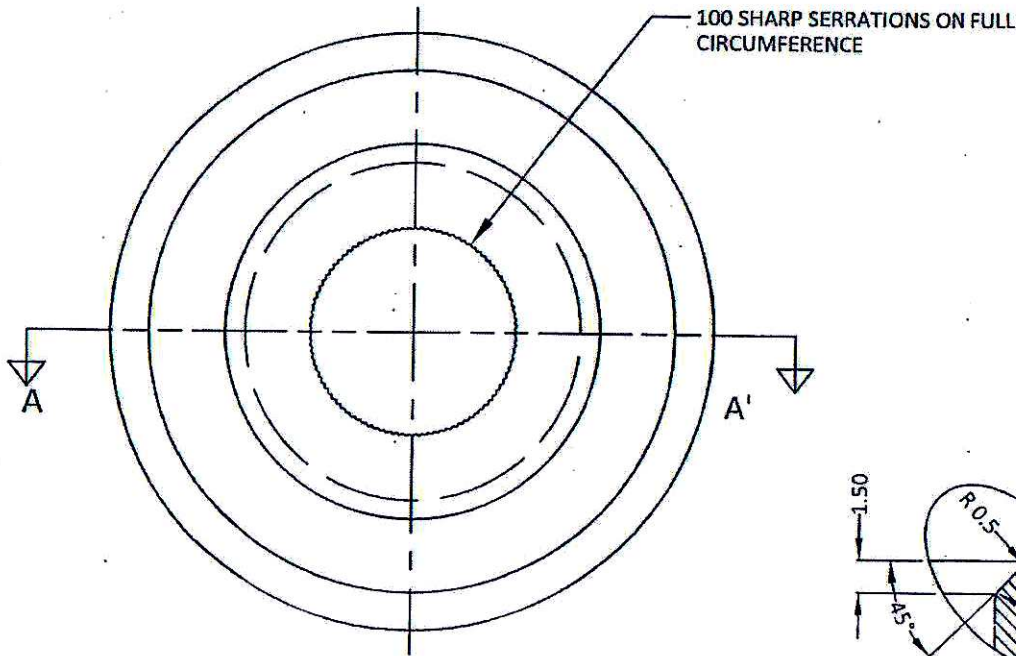


NOTE:
ALL DIMENSIONS ARE IN mm
MATERIAL TUNGSTEN CARBIDE INSERT : GT 30
OUTER RING: EN-24, HARDNESS 58±1 HRC
ALL EDGES TO BE CHAMFERED AT 0.5 x 45° UNLESS SPECIFIED
TOLERANCE: ±0.1 UNLESS SPECIFIED

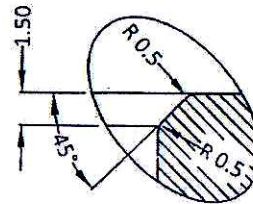
INDIA GOVERNMENT MINT, MUMBAI			
27 DIA NEW SERIES			
12-EDGE POLYGON TC COLLAR			
		DRAWING NO.: DD-246	
		REV-02	SHEET 1 OF 1
		SCALE: NTS	01.10.2022
DRAWN BY	CHECKED BY	CHECKED BY	APPROVED BY
<i>[Signature]</i>	<i>[Signature]</i>	<i>[Signature]</i>	<i>[Signature]</i>
	01/10/22	01/10/22	01/10/22
	(ASST. MANAGER, TCI)	(ASST. MANAGER, TCI)	(ASST. MANAGER, TCI)

PR No. 10029233 dt. 04/10/22 , Item no. 20

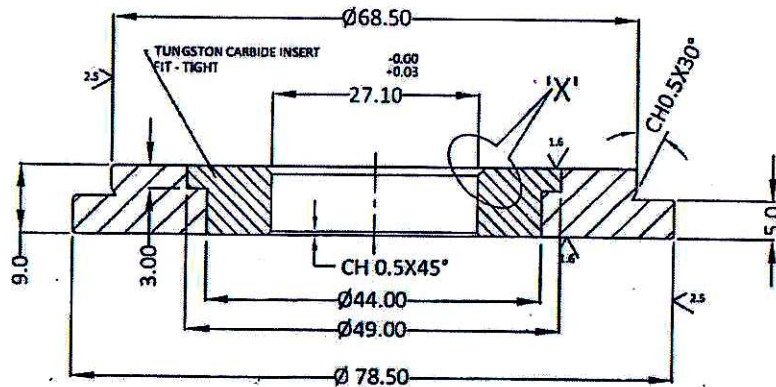
3



ENLARGED VIEW OF PROFILE (2.5:1)



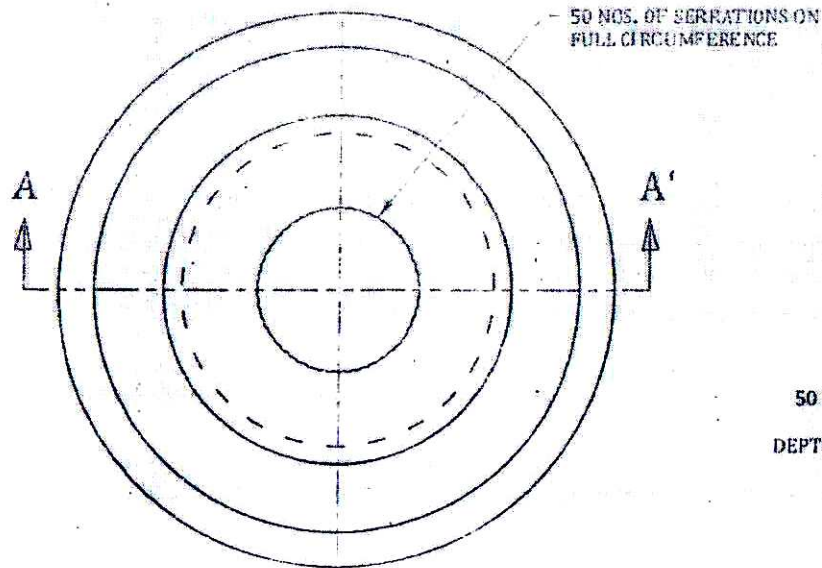
VIEW 'X'



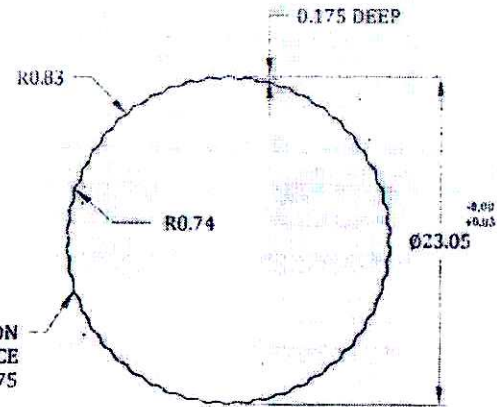
SECTION - AA'

MATERIAL : TUNGSTEN CARBIDE INSERT:- GT 30
 OUTER RING : EN -24 HARDNESS : 58 ± 1 HRC
 NOTE : ALL DIMENSIONS ARE IN mm
 ALL CORNERS TO BE CHAMFERED AT 0.5X45° UNLESS SPECIFIED
 TOLERANCE : ± 0.1 UNLESS SPECIFIED

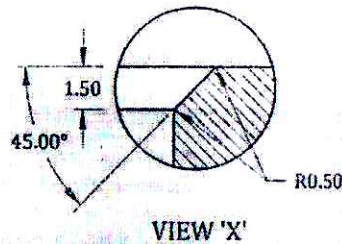
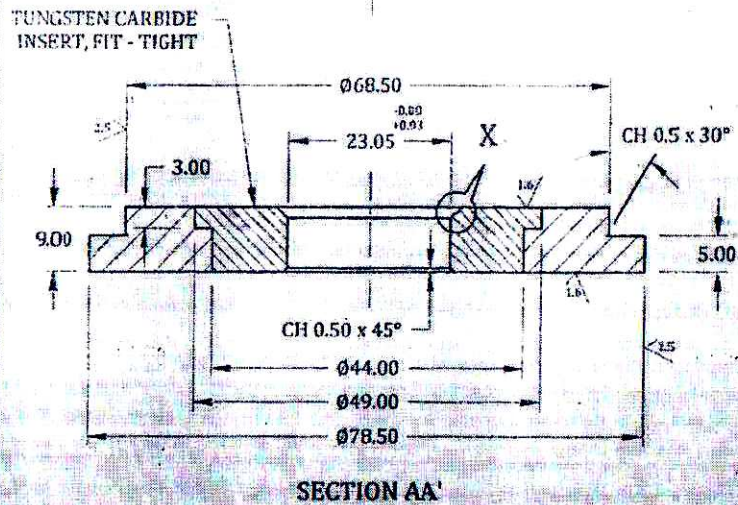
INDIA GOVT. MINT, MUMBAI			
27 DIA NEW SERIES TC COLLAR			
SCALE : 1:1		DRAWING NO. - DD/245 REV 02	
DATE : 25.01.2021			
DRAWN BY 	CHECKED BY 	DY. MANAGER (T) 	DY. GENERAL MANAGER
APPROVED			



50 NOS. OF SERRATIONS ON FULL CIRCUMFERENCE
DEPTH OF SERRATION = 0.175



2:1 ENLARGED VIEW OF PROFILE



NOTE:
ALL DIMENSIONS ARE IN mm
MATERIAL TUNGSTEN CARBIDE INSERT : GT 30
OUTER RING: EN-24, HARDNESS 58±1 HRC
ALL EDGES TO BE CHAMFERED AT 0.5 x 45° UNLESS SPECIFIED
TOLERANCE: ±0.1 UNLESS SPECIFIED

INDIA GOVERNMENT MINT, MUMBAI

23 DIA NEW SERIES TC COLLAR

		DRAWING NO: DD-243	
		REV-01	SHEET 1 OF 1
DRAWN BY		SCALE: NTS	01.10.2022
CHECKED BY		CHECKED BY	APPROVED BY
DESIGNER (T)		01.10.22	1.10.22
CHECKER (T)		01.10.22	01.10.22
APPROVER (T)		01.10.22	01.10.22