

**SPECIFICATIONS OF CORRUGATED BOXES TYPE- XF IN THE SIZE OF 530 MM (L) X 400 MM (W) X 300 MM (H)**  
**(To be submitted on firm's Letter Head as a token of acceptance)**

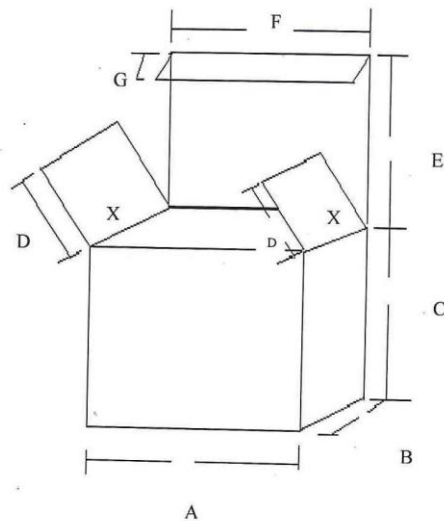
Broad fluted 5 Ply Corrugated Box (Collapsible), capable of carrying loads of 50 Kgs, strong enough to resist transportation hazards.

**A) Size of Box (Internal Dimension in mm)**

Type XF : A-530, B-400, C-300 D-250, E-400, F-530 & G-125.

(As per below Sketch; Tolerance +10 mm for these internal dimensions)

*XF- A-530/B-400/C-300/D-250/E-400/F-530/G-125*  
Type X: A-300, B-110, C-150, D-200, E-400, F-300 or 1-00.  
As per attached Sketch; Tolerance +10 mm for these dimensions)



1. Top and Bottom flap will have the same configuration.
2. The internal size of Corrugated Box will be L x W x H. The above detailed Sizes are shown for guidance only. The actual Sizes may vary to accommodate the thickness of Corrugated Sheet and ease of Opening/Closing Flaps 'X' are to be less by 5 mm both sides for the width for easy inserting.
3. 15 mm width slots to be provided for holding of iron Strips/Nylon Straps.

**B) Characteristics of Corrugated Box**

- 1) 5 Ply Broad flute, flute direction should be vertical
- 2) Paper to be used : Liner Craft paper 'A' grade 250 + 10 GSM
- 3) Bursting Strength of the board : Min. 25 Kg/cm<sup>2</sup>
- 4) Adhesive to be used : Very Strong, best quality of low moisture absorbency.
- 5) Compression strength ; 500 Kgs (Empty Box)
- 6) Cobb Valve : All papers must be of low Cobb (below 30)
- 7) Box outer and inner surface should be water resistant but outer surface should be capable of holding stencil ink (Solvent : turpentine)
- 8) To be printed with Code Mark identification (Code mark 'XXX' will be provided to successful bidder)
- 9) General Workmanship & Finish shall be good throughout.

**C) Testing:** Testing of GSM will be done as per IS 7063 (Part IV)-1976. Testing for bursting strength of the board and water absorption of the outer surface will be done as per IS 2771 (Part I)-1977.